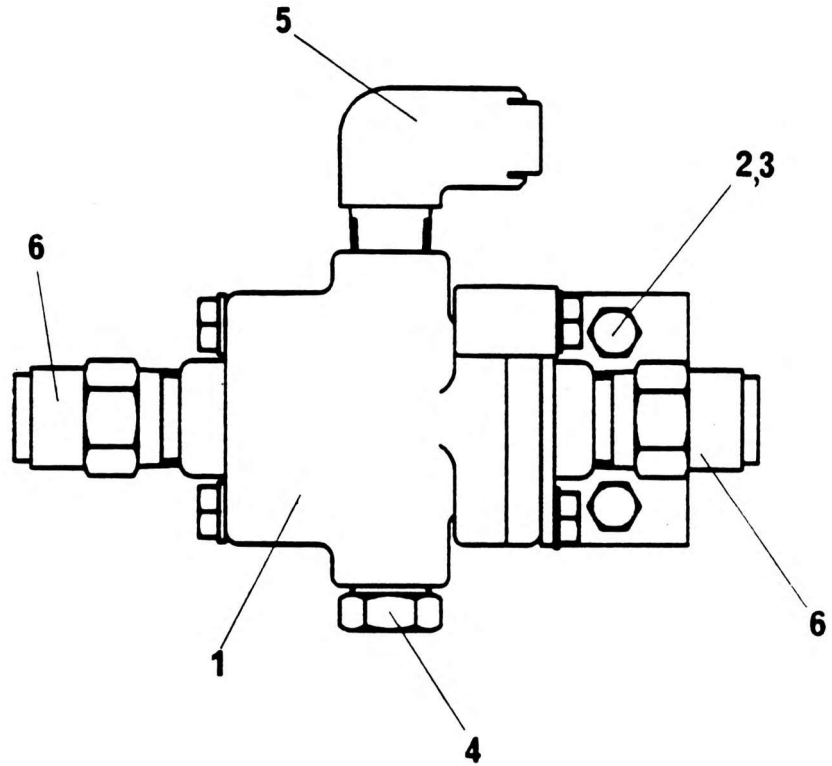


VALVE SUB ASSEMBLY PRESSURE DIFFERENTIAL PROTECTION



NO.	PART NO.	QTY.	DESCRIPTION	NO.	PART NO.	QTY.	DESCRIPTION
1+	8866078	1	Valve Differential Protection				
2	7045107	2	Screw Hex Head M6 x 10 Long				
3	7067214	2	Washer Spring M6				
4	13052	1	Plug $\frac{3}{8}$ " NPT Dry				
5	7-443-991027	1	Fixed Elbow Adaptor				
6	7-443-990968	2	Adaptor $\frac{3}{8}$ " NPTF x $\frac{3}{8}$ " Tube				
+ See further breakdown in this group							